

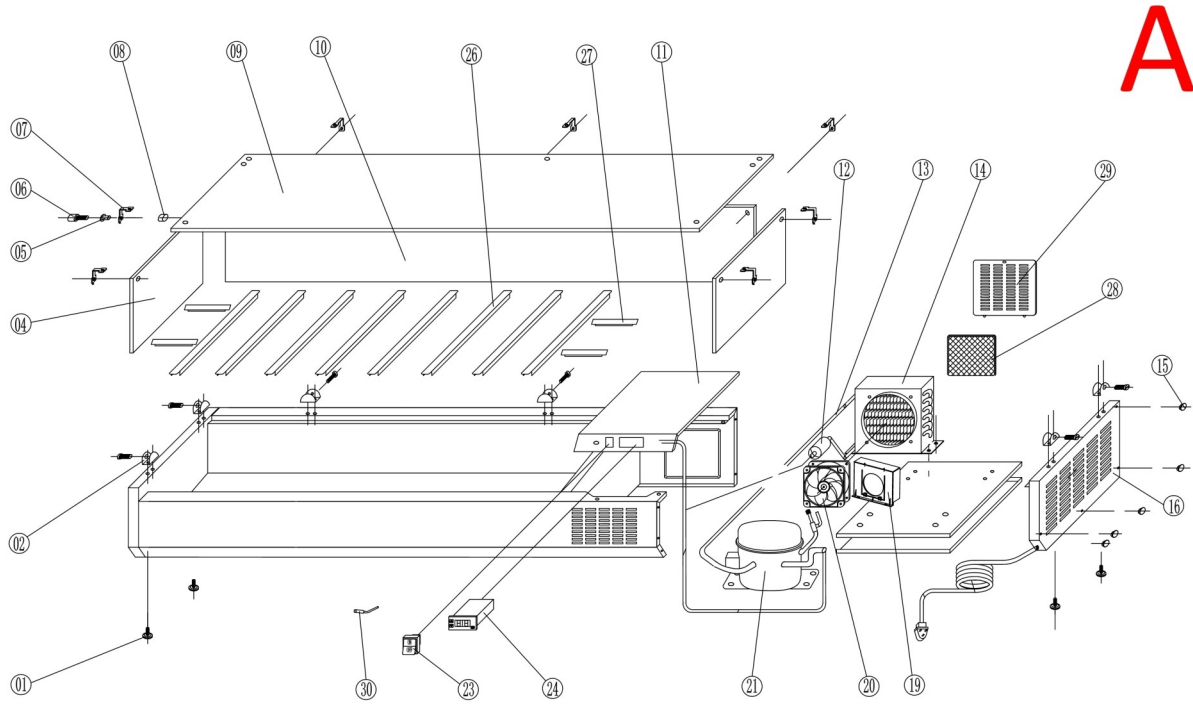
68518 / PT1310 + GVC38-200 / UK

---

Position	ItemNo	Description
00	10514	Complete Glass With Fixing
A01	14575	Feet
A02	10499	Clips Glass Cover
A04	10622	Side Glass
A05	35045	Bushing
A06	35046	Glass Fixed Bolt
A07	35047	Glass Linked Clip
A08	35048	Glass Clip Fixed Nut
A09	35073	Top Glass
A10	35064	Front Glass
A11	11869	Unit Room Cover For Compressor
A12	15722	Filter Drier 20 G
A13	69179	Defrost Water Coil
A14	14193	Condensor
A15	10068	Plastic Cap
A16	71036	Unit Side
A19	68891	Condenser Fan Support
A20	13318	Cond./Evap. Fan Rah1238B
A21	11726	Compressor HDL140A R600
A23	13754	Main Switch
A24	14061	Thermostat XR02CX 2 Probes
A26	14763	Divider For GN1/3 Pans 326x26 mm
A27	14770	Divider For GN1/6 Pans 178x16 mm
A28	10020	Filter 182 x 215 mm
A29	35077	Air Flow Window
A30	51615	Sensor 40cm
	55807	Sensor

2026-05-29

68518 / PT1310 + GVC38-200 / UK



TEFCOLD®

